

Note ! Assembly of the DOM-Guardian[®]



During the first use or change of the battery it can occur that the electronics react with a longer delay. If this happens, please remove the battery from your device – wait for 20 seconds – and re-connect the battery again. After performing this operation the electronic unit will operate in the normal status.



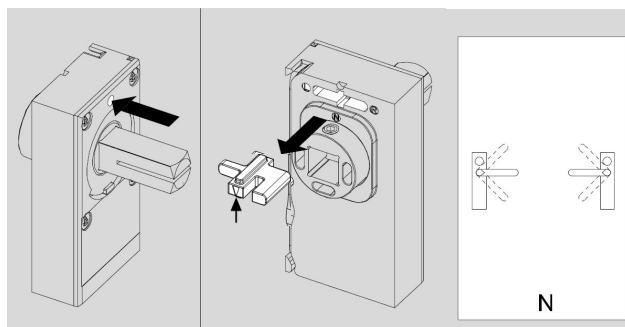
Attention ! Assembly of the DOM-Guardian[®]

The lever lock of the DOM-Guardian is pre-installed to the neutral (N) position. For changing the lever lock to left (L) or right (R) orientation (Remove and mounting of the base-plate at the u-profile) => please pay attention to the arrangement of the wiring of the module to the PCB and to the battery not to be damaged.



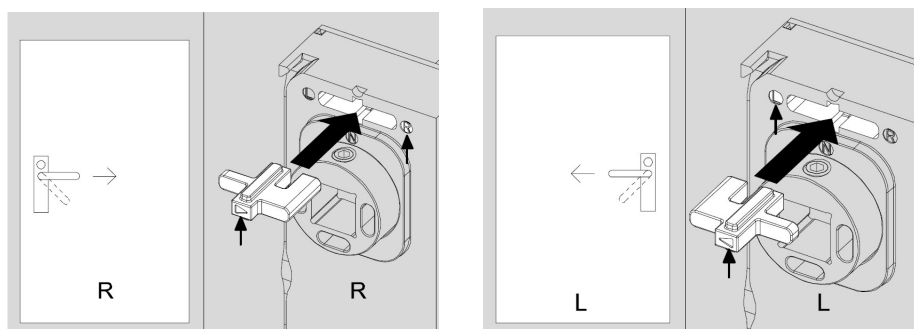
The DOM Guardian is not certified for use in fire- and escape doors (certification is in preparation)

Installation hint ! Changing of the DOM-Guardian[®] lever lock orientation



Attention: Using the lever without inserted lever lock will damage the module

1) Remove the preinstalled lever lock from position N (according to the installation manual or from the front with a standard flat nose pliers – holding the module in its position)

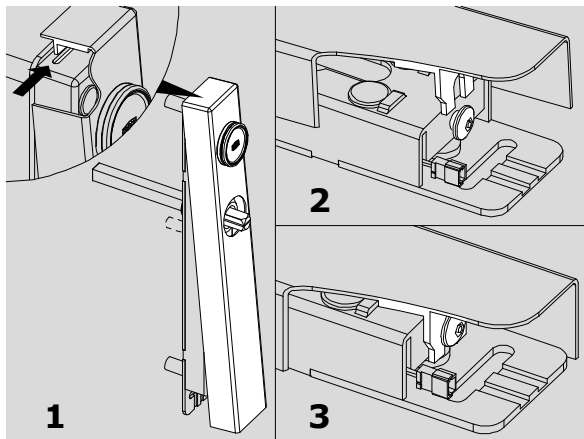


Attention: Please do not use grease/lubricant



2) Place the lever lock for use of orientation right (R) or left (L)

Installation hint ! for the DOM-Guardian[®] cover plate



Placing the cover plate onto the u-profile

1. Mount the external cover plate on the u-profile
2. Place the mounting lap fully onto the safety screw of the u-profile
3. Tighten the safety screw with the assembly tool



Note: If the cover plate is not correctly mounted, the battery compartment could be too loose or will not remain in the assembly.



Note! Always mount the DOM Guardian[®] while the door is open so that you do not lock yourself out.