

TYPE								PRODUCT CODE
	FINISH	HANDLE	SPINDLE	HAND	DOOR THICKNESS	INTERAXIS		
Easykey ADAPT	Stainless steel	U shape	8	Left	35	72	XA40SE8IU-10	
Easykey ADAPT	Stainless steel	U shape	8	Right	35	72	XA40SE8DU-10	
Easykey ADAPT	Stainless steel	L shape	8	Left	35	72	XA40SE8IL-10	
Easykey ADAPT	Stainless steel	L shape	8	Right	35	72	XA40SE8DL-10	
Easykey ADAPT	Stainless steel	U shape	8	Left	40	72	XA40SE8IU-20	
Easykey ADAPT	Stainless steel	U shape	8	Right	40	72	XA40SE8DU-20	
Easykey ADAPT	Stainless steel	L shape	8	Left	40	72	XA40SE8IL-20	
Easykey ADAPT	Stainless steel	L shape	8	Right	40	72	XA40SE8DL-20	
Easykey ADAPT	Stainless steel	U shape	8	Left	45	72	XA40SE8IU-30	
Easykey ADAPT	Stainless steel	U shape	8	Right	45	72	XA40SE8DU-30	
Easykey ADAPT	Stainless steel	L shape	8	Left	45	72	XA40SE8IL-30	
Easykey ADAPT	Stainless steel	L shape	8	Right	45	72	XA40SE8DL-30	
Easykey ADAPT	Stainless steel	U shape	8	Left	50	72	XA40SE8IU-40	
Easykey ADAPT	Stainless steel	U shape	8	Right	50	72	XA40SE8DU-40	
Easykey ADAPT	Stainless steel	L shape	8	Left	50	72	XA40SE8IL-40	
Easykey ADAPT	Stainless steel	L shape	8	Right	50	72	XA40SE8DL-40	
Easykey ADAPT	Stainless steel	U shape	8	Left	55	72	XA40SE8IU-50	
Easykey ADAPT	Stainless steel	U shape	8	Right	55	72	XA40SE8DU-50	
Easykey ADAPT	Stainless steel	L shape	8	Left	55	72	XA40SE8IL-50	
Easykey ADAPT	Stainless steel	L shape	8	Right	55	72	XA40SE8DL-50	
Easykey SLIM	Stainless steel	U shape	8	Left	35	72	XS40SC8IU-10	
Easykey SLIM	Stainless steel	U shape	8	Right	35	72	XS40SC8DU-10	
Easykey SLIM	Stainless steel	L shape	8	Left	35	72	XS40SC8IL-10	
Easykey SLIM	Stainless steel	L shape	8	Right	35	72	XS40SC8DL-10	
Easykey SLIM	Stainless steel	U shape	8	Left	40	72	XS40SC8IU-20	
Easykey SLIM	Stainless steel	U shape	8	Right	40	72	XS40SC8DU-20	
Easykey SLIM	Stainless steel	L shape	8	Left	40	72	XS40SC8IL-20	
Easykey SLIM	Stainless steel	L shape	8	Right	40	72	XS40SC8DL-20	
Easykey SLIM	Stainless steel	U shape	8	Left	45	72	XS40SC8IU-30	
Easykey SLIM	Stainless steel	U shape	8	Right	45	72	XS40SC8DU-30	
Easykey SLIM	Stainless steel	L shape	8	Left	45	72	XS40SC8IL-30	
Easykey SLIM	Stainless steel	L shape	8	Right	45	72	XS40SC8DL-30	
Easykey SLIM	Stainless steel	U shape	8	Left	50	72	XS40SC8IU-40	
Easykey SLIM	Stainless steel	U shape	8	Right	50	72	XS40SC8DU-40	
Easykey SLIM	Stainless steel	L shape	8	Left	50	72	XS40SC8IL-40	
Easykey SLIM	Stainless steel	L shape	8	Right	50	72	XS40SC8DL-40	
Easykey SLIM	Stainless steel	U shape	8	Left	55	72	XS40SC8IU-50	
Easykey SLIM	Stainless steel	U shape	8	Right	55	72	XS40SC8DU-50	
Easykey SLIM	Stainless steel	L shape	8	Left	55	72	XS40SC8IL-50	
Easykey SLIM	Stainless steel	L shape	8	Right	55	72	XS40SC8DL-50	

Standard cylinder dimensions for Easykey SLIM

Door thickness, mm for centered doors	35	40	45	50	55	60	65	70	75	80
Cylinder dimension, mm outside/inside	30/45	30/50	30/50	35/55	35/55	40/60	40/60	45/65	45/65	50/70

DOM-UK Ltd
 Unit 1 Junction 2 Industrial Estate
 Demuth way, Birmingham, B69 4LT
 Tel: +44 (0) 121 569 7790 Fax +44 (0) 121 569 7798
 UNITED KINGDOM
 www.dom-security.co.uk

we domore for security



Easykey
 Digital handle

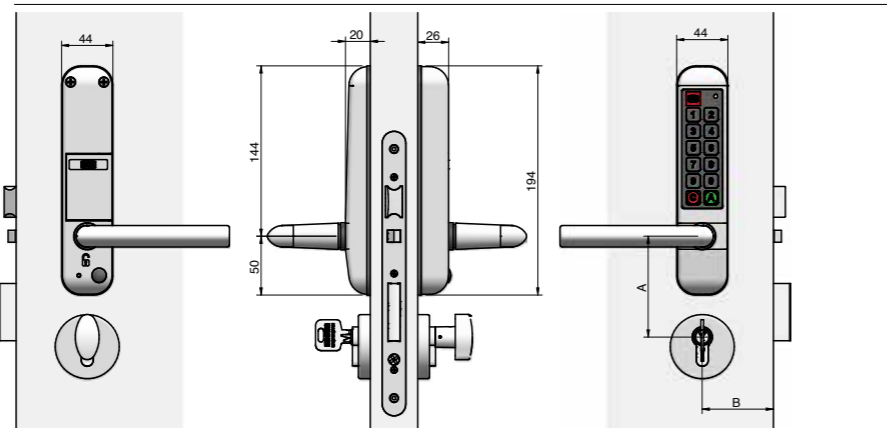
Easykey

Access control system with Numeric & Braille keyboard that can be used without cards or keys.

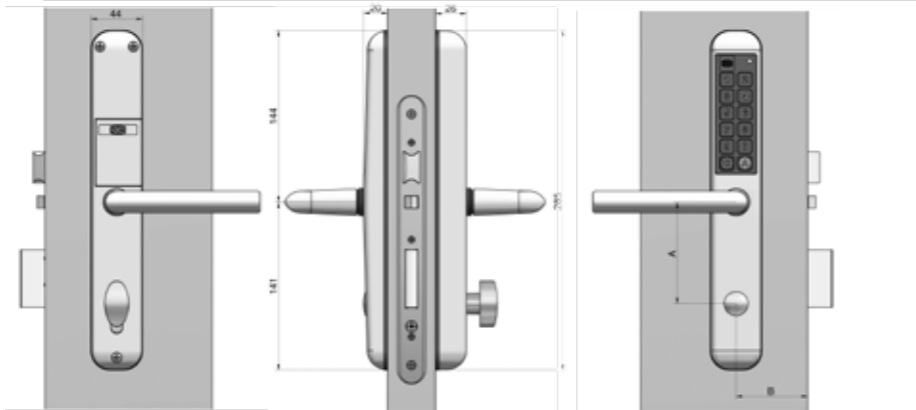
Adaptable to almost any mortise lock on the market,

Easykey provides security and control, being a simple and comfortable tool in restricted environments (e.g. offices, hospitals, private areas or public buildings).

Easykey ADAPT version



Easykey SLIM version



Features	
■ Locking & Opening Time	The latch is locked automatically after 3 seconds
■ Master Codes	The default master code is 856069, it is recommended to change the master code when the digital handle is installed
■ User Code	Administrator can create a user code with 4-6 digits
■ Max. number of user codes	Up to 150 user codes
■ Security System	After 5 wrong codes, the lock is blocked for 1 minute
■ Memory Information	EEPROM : user codes remain in memory when the battery is replaced
■ Backup	Cylinder override available
■ Low battery signal	Before last 500 openings
■ Design	Slim & Adapt

FUNCTIONS	Change Master Code	Activate User Codes	Deactivate User Codes	Complete deactivation of all user codes	Always free exit	Optional: free entry function

TECHNICAL DETAILS

Cycles	40.000
Material	Steel / Zamak
Finish	Stainless steel
Handle	U shape & L shape
Reversible Left / Right	Yes
Interaxis	72 mm
Backset	22 mm and more
Door thickness	35 – 80 mm
Spindle / Follower	8 mm
Fixation	5 screws
Battery	Lithium battery, CR-P2 (6V)
Battery life	2 years
Light signals	Yes, green / red
Acoustic signals	Yes
Included accessories	Battery, fixation kit, mounting instruction
On request	Gold Finish Spindle 7 & 9 mm Other door thickness Renovation plate Interaxis 70, 85, 92 mm

CHANGE MASTER CODE

By default the Easykey Master Code is 856069, which must be changed when it is installed. This can be done by the device administrator following the sequence below:

A + A + C + C + A + A + CURRENT MASTER CODE + A + NEW MASTER CODE + A

ACTIVATE USER CODES

To enter a new code follow the sequence below:

A + C + A + MASTER CODE + A + CODE 1 + A + CODE 2 + A + ... + CODE N + A + C

DEVICE OPENING WITH USER CODE

To open the device enter the user code followed by the letter A:

CODE 1 + A

DEACTIVATE USER CODES

To deactivate a user code, follow the sequence below:

C + A + C + MASTER CODE + C + CODE 1 + C + CODE 2 + C + ... + CODE N + C + A

COMPLETE DEACTIVATION OF ALL USER CODES

To deactivate / cancel all the stored codes follow the sequence below:

C + C + A + A + C + C + MASTER CODE + C

SECURITY

DOM recommends to change the Master Code upon initial activation of the Easykey device. In case of losing / forgetting the Master Code please contact DOM.

