

MECHANICAL, MODULAR, INNOVATIVE

DOM ix Saturn

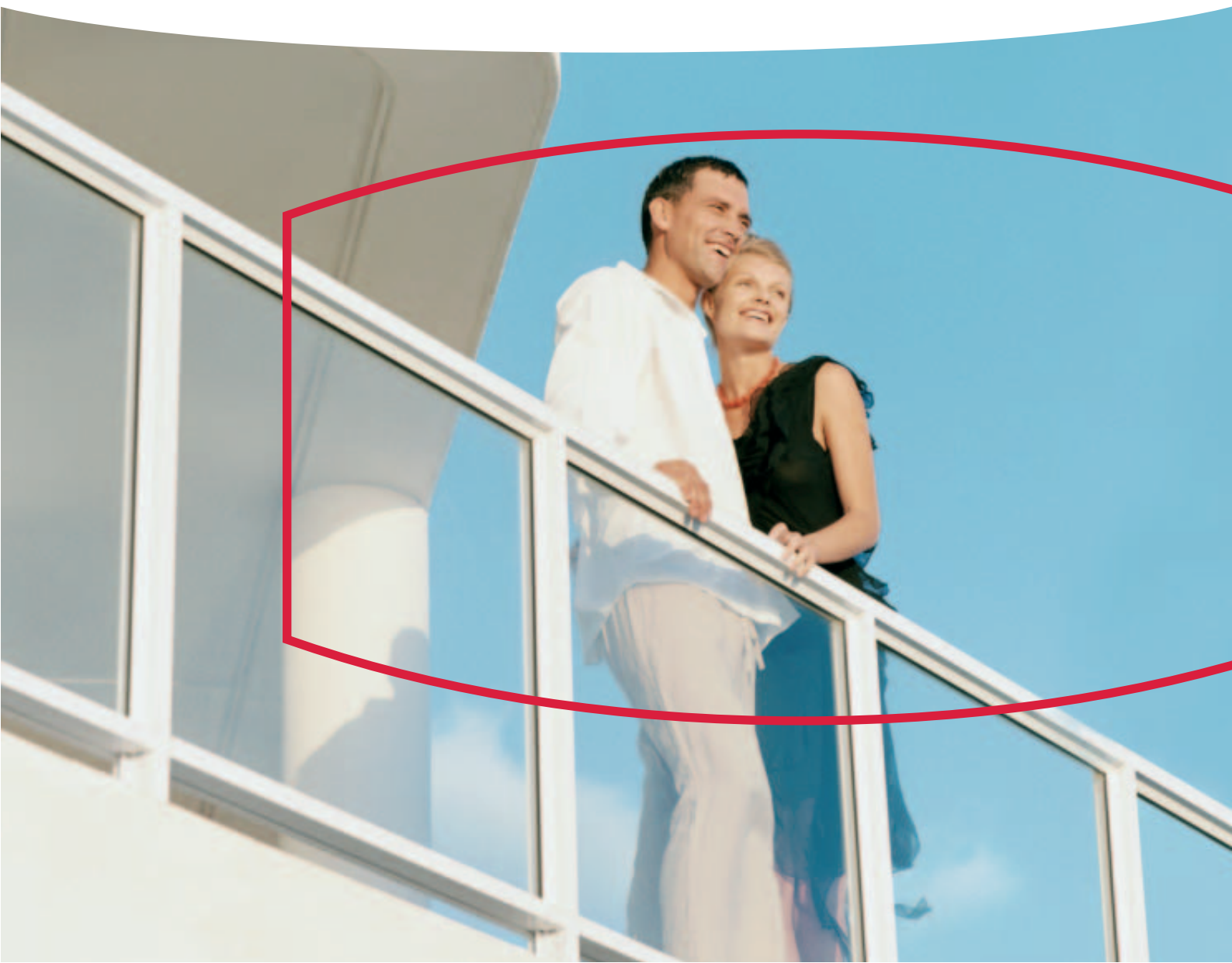
Maximum security. All-round flexibility.



SECURITY, QUALITY, DOM.



SICHERHEITSTECHNIK



DOM ix SATURN

A comprehensive solution with limitless possibilities.

Discover a new dimension of quality in the field of mechanical locking systems! DOM ix Saturn guarantees a security standard that sets the highest benchmarks. Modular extension of the mechanical basic mechanical system with electronic components is also possible, thus combining the advantages of mechanics with the benefits of electronics: all in accordance with individual customer requirements.

There are many strong arguments that make the DOM ix Saturn a real security star – for use as a complex keying system or for coded individual locking:

Locking mechanism/Key technology

- The double cylinder has 20 tumblers, with 9 sprung pin tumblers and one locking bar tumbler per locking side
- Solid pin tumblers with a minimum diameter of 3 mm in hard bronze/steel, hardened and chemically nickel-plated
- Sectionally graded core and housing pins
- Up to 10 positive-guided, solid inspection pins
- Axially sprung locking bar, which is actuated by up to three control pins positioned in the core in interaction with bores in the key
- One-piece cylinder housing in solid brass, surface treated with several galvanised layers, high corrosion protection
- Cylinder core in solid brass, one-piece, with a minimum diameter of 13 mm
- Concave core head with horizontal key guidance as key inlet guide and for non-positive torque transfer
- Reversible nickel silver key, corrosion-free, with 45° floating element
- Key tip with special lead-in ramp for pin tumblers
- Trough bores with optimised bevel angle cuts
- Shape of key head custom fits the DOM ClipTac
- Up to 24 lock authorisation requests per key
- Compatible with keying system types Z, ZHS, HS, GHS
- Can also be used for coded individual locking with security card
- Implementation of complex keying systems thanks to high lock volume
- Optional modular design

THE DOM ix SATURN LOCKING SYSTEM IN DETAIL

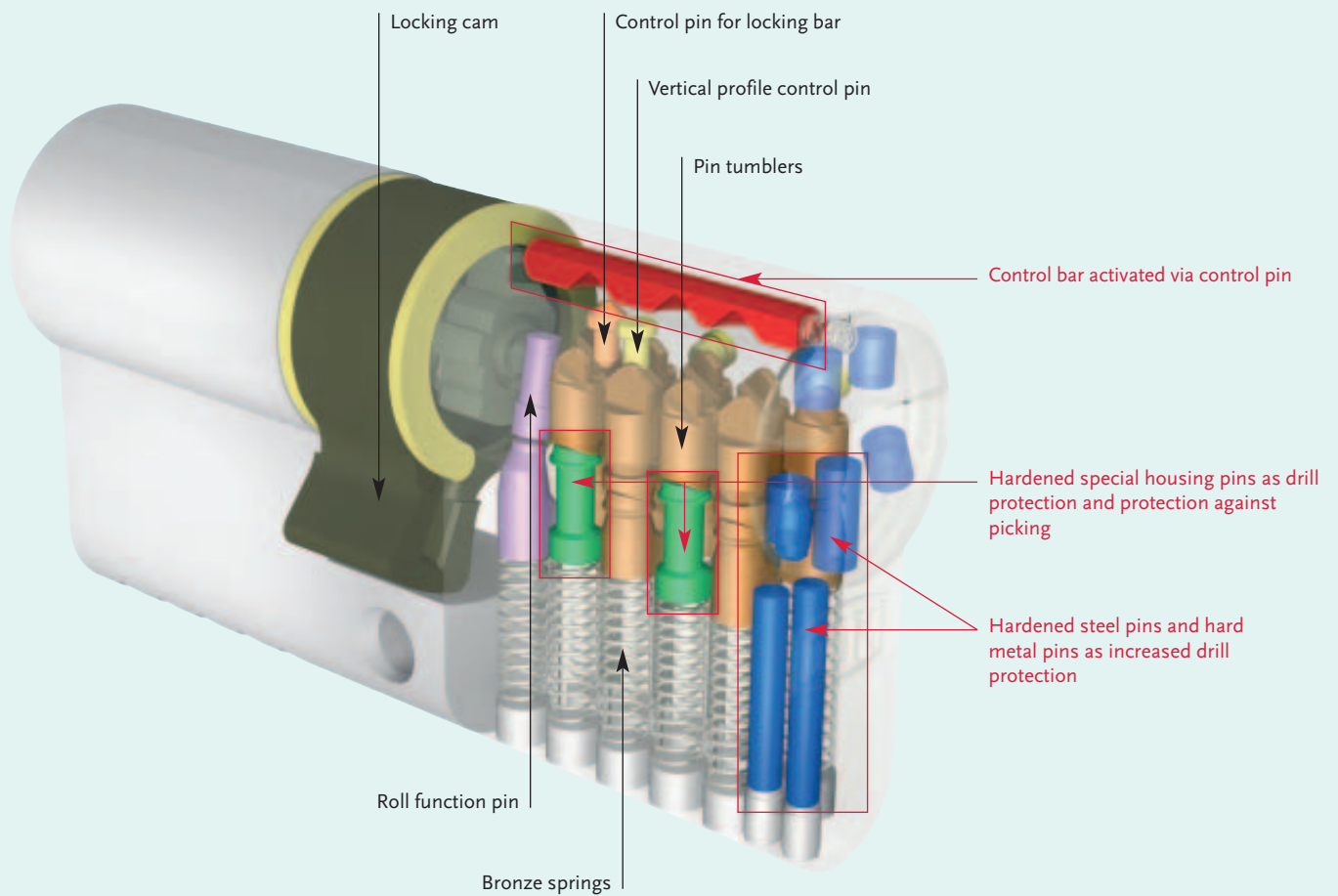
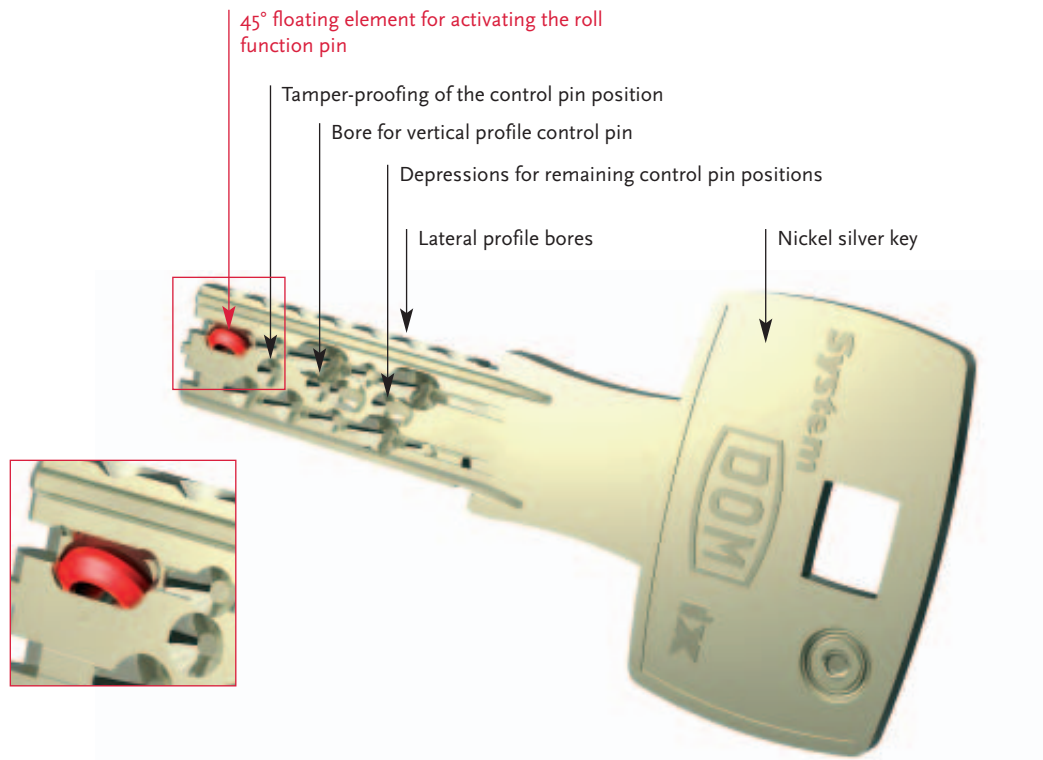


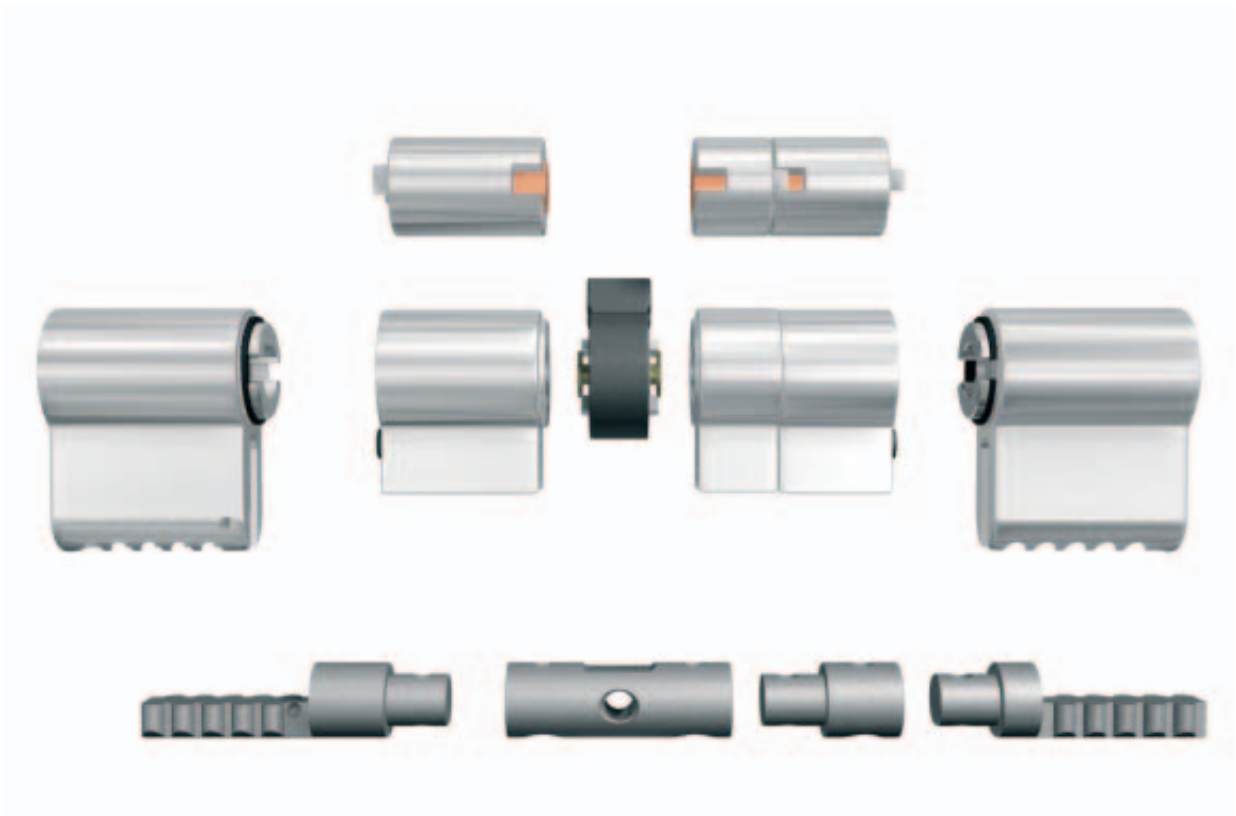
Fig.: DOM ix Saturn

MODULAR TECHNOLOGY

A sound basis that connects worlds.

DOM ix Saturn is optionally available as a modular version. The system's sophisticated technology enables it to fulfil specific individual requirements with ease. The rib modules shown here allow simple and flexible adaptation of the cylinder length to virtually any door size on site. The wave-shaped chromium-nickel steel rib provides the system with outstanding pulling and tear-off protection.

- Long-term investment security
- Increased pulling and tear-off protection
- Rib modules for all lengths
- Length adjustment in 5 mm steps without limitation
- Simple installation with 2 screwdrivers
- Positive connection protection.



Easy introduction to the world of electronics.

Connect the mechanical DOM key and the DOM ClipTac (battery-free transponder) to a high-performance mechatronic locking medium.

Many of our customers use ClipTac technology to reinforce their existing mechanical keying system with an electronic outer skin protection. Yet the end user still only has one locking medium. Many conventional and reverse key systems – both existing and new – can be integrated.



Compatibility with all locking systems

Mechanics

Mechatronics

Electronics



PERFORMANCE FEATURES

High expectations are impressively surpassed.

Quality policy

Quality is the most important element of our business. The supply of faultless products provides the basis for DOM's leading position in the market of security and locking systems and the confidence invested in us by our customers. Our goal is to continue to fulfil - and surpass - our customers' expectations in the future too. Evidence of our consistent quality orientation is provided by our certification to DIN EN ISO 9001. Adherence to stringent quality standards helps us to ensure consistently high product and process quality - to the satisfaction of our discerning customers.



Functionality warranty

We offer a very special warranty for the DOM ix Saturn locking system: we provide a ten-year functionality warranty from the date of purchase. This means that you can enjoy the security of knowing that your DOM locking system will function reliably for a full ten years. Among all producers of locking systems, DOM is the only company to offer this kind of service! In order to take advantage of the extended functionality warranty, please register your DOM ix Saturn purchase online. Further information is available from: www.dom-garantie.com



Patent

Whoever wants to be ahead of the competition must be more innovative and quicker than everyone else. With the DOM ix Saturn, we have once again been able to prove the considerable innovation of our development department and filed a patent for a special technology. Our constant goal is to lead the way with sophisticated innovations, whilst further enhancing the value of our new products with patents.

VdS (independent test and certification body)

DOM ix Saturn fulfils the highest requirements of class B on a cylinder.



DIN EN 1303

DOM ix Saturn fulfils the requirements of lock security class 6 and resistance to drilling class 2 in accordance with DIN EN 1303 04/2005.

BHE (German Association of Security System Manufacturers and Installers)

DOM has been awarded the quality service seal of the BHE, which primarily assesses the service offered by the company to its partners. This includes technical support with specified availability, regular product training, service-friendly business relationship and prompt supply of spare parts.



HIGH SECURITY CARD

Chip card technology included.

- New generation of security cards for keying systems
- The integrated chip generates transaction codes to re-release individual orders and sign them clearly. The orders can be sent safely with the signature via email.
- Increased security through encrypted signature
- Individual orders are clearly legitimated by the owner of the key system.
- Quick order processing via email

Still available: the standard security card can be conveniently re-ordered.



ELECTRONIC ORDERING SYSTEMS

DOM eCommerce

DOM Portier Plan: Key system planning

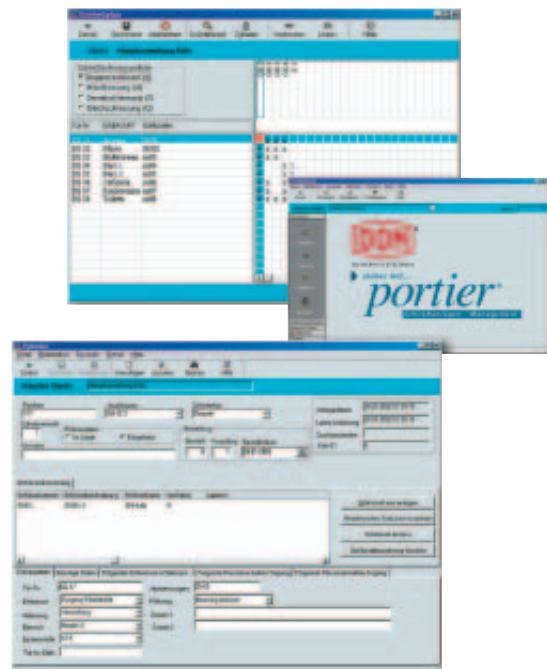
A software package that enables quick and convenient creation of key plans for new and existing buildings.

DOM Portier: Key system management

A software package for efficient management of key systems.

Performance features:

- Management of any number of key systems (DOM Portier Profi)
- Quick access to all relevant information
- Quick overview of people, cylinders, keys and key bunches
- Hierarchical user authorisations and password checks provide security
- Integrated ordering
- All key movements are logged with acknowledgement or PIN entry
- Unerasable history of relevant data



Further information is available from www.portier.de

Advantages

- 🔥 **High level of security:**
 - through patented technology
 - through fulfilling the requirements of lock security class 6 in accordance with DIN EN 1303 04/2005
 - through fulfilling the requirements of class 2 resistance to drilling in accordance with DIN EN 1303 04/2005
 - through use in fire doors, certified by the Materials Testing Office (MPA)
- 🔥 **High key copy protection:**
 - through movable locking element in the key, which protects against unauthorised copying
 - through use of spare keys exclusively manufactured in-house, i.e. blanks are not available to dealers
- 🔥 **High drilling protection:**
 - through hard metal pins in the cylinder, optional
- 🔥 **Optimal tear-off and pulling protection:**
 - through modular technology (chromium-nickel steel rib), optional
- 🔥 **Easy handling:**
 - through the concave core head, which facilitates key guidance
 - through the horizontal key guidance, which facilitates opening and closing of the cylinder
- 🔥 **Compatibility with electronic DOM products:**
 - through the DOM ClipTac, which allows combination with mechanical and electronic DOM systems
- 🔥 **Fields of application:**
 - Industry: all keying system types
 - Private: coded individual locking (can be converted to a 2nd lock if a key is lost)
- 🔥 **Security circuit:**
 - Cylinders and keys can only be re-ordered from dealers against presentation of the security card (option of higher security circuit with High Security Card)

Your Security advisor:



www.dom-sicherheitstechnik.com



SICHERHEITSTECHNIK

DOM Sicherheitstechnik
GmbH & Co. KG
Postfach 1949
D-50309 Brühl
Tel. +49 (0)22 32-704 0
Fax +49 (0)22 32-704 375
www.dom-sicherheitstechnik.com
dom@dom-sicherheitstechnik.com

DOM Sicherheitstechnik
Gesellschaft m.b.H.
Missindorfstraße 19-23
A-1140 Wien
Tel. +43 (0)1-7 89 73 77
Fax +43 (0)1-7 89 73 77 73
www.dom.at
office@dom.at

DOM AG Sicherheitstechnik
Breitenstraße 11
CH-8852 Altendorf
Tel. +41 (0)55-4 51 07 07
Fax +41 (0)55-4 51 07 01
www.dom-sicherheitstechnik.ch
dom.schweiz@dom-sicherheitstechnik.ch

DOM Sarl
214 Z.A. Les Petits Carreaux
2, Avenue des Roses
F-94386 Bonneuil-sur-Marne Cedex
Tel. +33 (0)1-45 13 69 69
Fax +33 (0)1-43 39 03 57
www.dom-france.com
info@dom-france.com

RONIS-DOM Ltd.
Moor Street South
Blakenhall
West Midlands
GB-Wolverhampton, WV2 3JJ
Tel. +44 (0)19 02-71 54 40
Fax +44 (0)19 02-71 51 45
www.domcylinders.co.uk
sales@ronis-dom.co.uk

DOM-Nederland
Postbus 1186
NL-2280 CD Rijswijk
Tel. +31 (0)70-3 19 30 06
Fax +31 (0)70-3 99 69 03
www.dom-nederland.nl
info@dom-nederland.nl

Benidorm Locks S.L.
Plaza Jaime I n° 13 - 1°
E-03580 Alfaz del Pi
Alicante
Tel. +34 96 58 89 90 8
Fax +34 96 58 89 90 9
www.benidormlocks.com
info@benidormlocks.com

Security Products S.r.l.
Corbin
Via Modena 68
I-40017 San Giovanni in
Persiceto, Bologna
Tel. +39 (0)51-6 81 24 11
Fax +39 (0)51-82 74 86
www.corbin.it
corbin@corbin.it

Hoberg N.V.
Dorpstraat 444
B-3061 Leefdaal
Tel. +32 (0)2-7 67 33 02
Fax +32 (0)2-7 67 87 03
www.hoberg.be
info@hoberg.be

HOBERG Luxembourg AG
2, rue d'Anvers
L-1130 Luxembourg
Tel. +325-26.18.75.75
Fax +352-26.18.76.76
www.hoberg.lu
info@hoberg.lu

DOM Polska Sp. z o.o.
ul. Krótka 7/9
PL-42-200 Czeszochowa
Tel. +48 (0)34-360 53 64
Fax +48 (0)34-324 13 64
www.dom-polska.pl
jgawecki@metalplast-czeszochowa.pl

C. P. Jakobsen
Ringbakken 3, Ganlose
DK-3660 Stenlose
Tel. +45 (0)48 18-47 00
Fax +45 (0)48 18-47 41
www.cpj.dk
cpj@cpj.dk